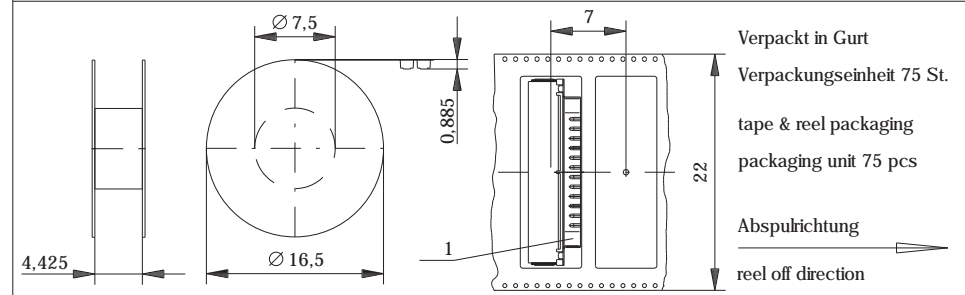
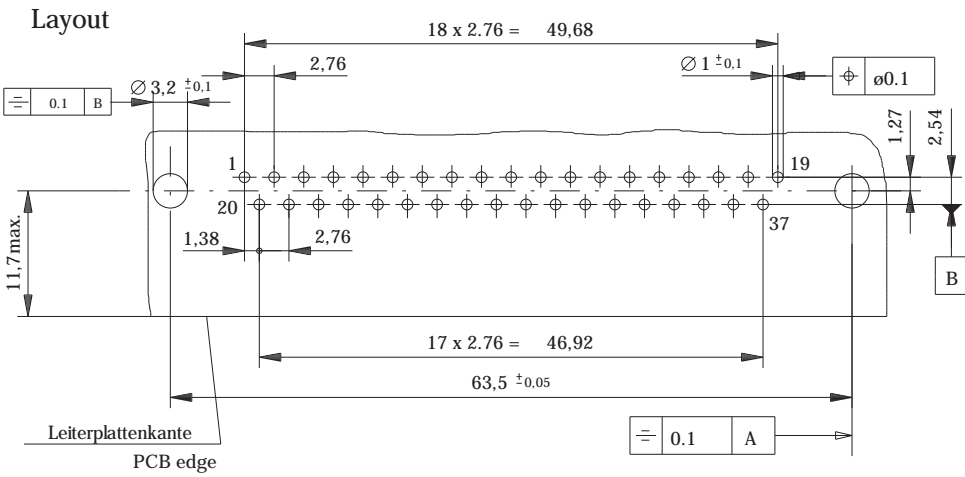


Verpackt in Tray
Verpackungseinheit 16 St.
tray packaging
packaging unit 16 pcs



Verpackt in Gurt
Verpackungseinheit 75 St.
tape & reel packaging
packaging unit 75 pcs
Abspulrichtung
reel off direction



Fehlende Masse und Angaben siehe DIN 41652 / Missing information and dimensions according to DIN 41652
Sonstige Angaben siehe Fertigungsunterlagen / Additional indications please see the production documentation

Anschlussbereich verzinkt
terminal area tin plating

Anforderungsstufe: 2
class: 2

| | | | | | |
|-------------------------------------|------------------------------|-----------------|------------------|----------------|---------------------|
| | 174423 | ø3,2 | | | |
| | 154218 | | | #4-40 | |
| | 154217 | | | M 3 | |
| | 154216 | | #4-40 | | |
| | 154215 | | M 3 | | |
| Ident-Nr part-no. tape & reel | Ident-Nr part-no. tray | ohne without | Mutter thread | Bolzen bolt | Bemerkung remark |

| | | | |
|---|--------------------------|--|---|
| Information: | Tolerances ISO 2768-m | Scale 2:1 | Designation TMC-P 37-THR-Standard TMC-P 37-THR-Standard |
| | All Dimensions in mm | | |
| All rights reserved. Only for information. To insure that this is the latest version of this drawing, please contact one of the ERNI companies before using. | | Subject to modification without prior notice. Drawing will not be updated. | |
| www.ERNI.com | | 144862 | |
| a Index | 02.04.2004 Date | H:00039735.SZN TMCP | |

Consider protection memo from DIN 34